

CATEGORY	DESCRIPTION	P/N #
CONNECTOR	1.00mm ZIF FPC CONNECTOR SIDE ENTRY LOWER CONTACT SMT TYPE	FCF02V-XX010-093S

FCF02V-XX010-093S
See Table 1

REV.	ECN NO	DESCRIPTION	REVISED	DATE
A01		New Release	Luguan	2009.12.08

- SPECIFICATION
- CURRENT RATING : 0.5 Amp MAX.
 - DIELECTRIC WITHSTANDING VOLTAGE : AC 500V.
 - INSULATION RESISTANCE: 50MΩ MIN.
 - OPERATING TEMPERATURE : -20°C TO +85°C.

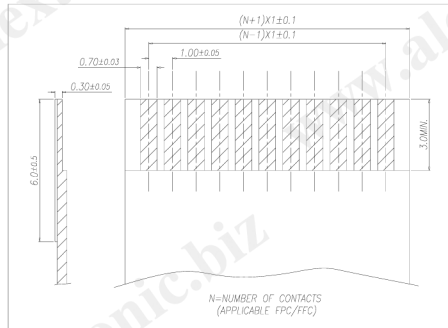
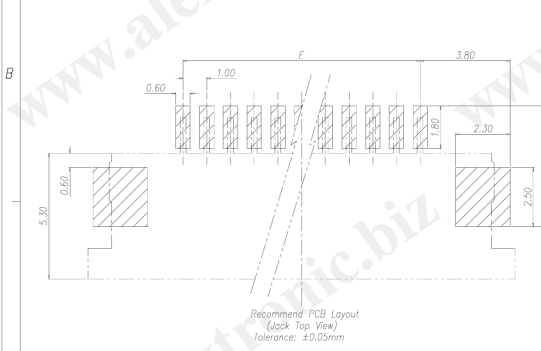
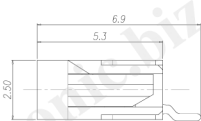
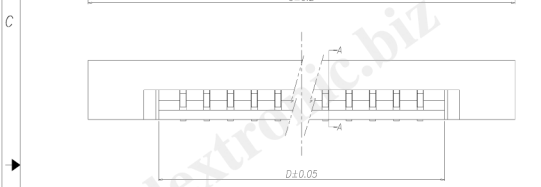
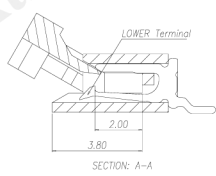
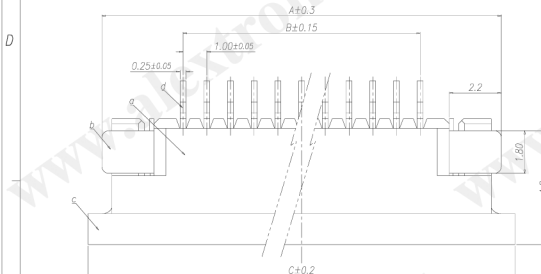


Table 1:
Pin QTY & Dimension

QTY	Dimension				
	XX	A	B	C	E
04	9.85	3.00	11.00	5.05	3.00
05	10.85	4.00	12.00	6.05	4.00
06	11.85	5.00	13.00	7.05	5.00
07	12.85	6.00	14.00	8.05	6.00
08	13.85	7.00	15.00	9.05	7.00
09	14.85	8.00	16.00	10.05	8.00
10	15.85	9.00	17.00	11.05	9.00
11	16.85	10.00	18.00	12.05	10.00
12	17.85	11.00	19.00	13.05	11.00
13	18.85	12.00	20.00	14.05	12.00
14	19.85	13.00	21.00	15.05	13.00
15	20.85	14.00	22.00	16.05	14.00
16	21.85	15.00	23.00	17.05	15.00
17	22.85	16.00	24.00	18.05	16.00
18	23.85	17.00	25.00	19.05	17.00
19	24.85	18.00	26.00	20.05	18.00
20	25.85	19.00	27.00	21.05	19.00
21	26.85	20.00	28.00	22.05	20.00
22	27.85	21.00	29.00	23.05	21.00
23	28.85	22.00	30.00	24.05	22.00
24	29.85	23.00	31.00	25.05	23.00
25	30.85	24.00	32.00	26.05	24.00
26	31.85	25.00	33.00	27.05	25.00
27	32.85	26.00	34.00	28.05	26.00
28	33.85	27.00	35.00	29.05	27.00
29	34.85	28.00	36.00	30.05	28.00
30	35.85	29.00	37.00	31.05	29.00
31	36.85	30.00	38.00	32.05	30.00
32	37.85	31.00	39.00	33.05	31.00
33	38.85	32.00	40.00	34.05	32.00
34	39.85	33.00	41.00	35.05	33.00

Product Drawing
ALEXTRONIC

NO.	PART NAME	QTY	MATERIAL	PLATING & COLOR	Remark
d	Terminal	XX	Phosphor Bronze	TIN Plating	
c	Cover	1	PPS UL94V-0	Black	
b	Peg	2	Brass	TIN Plating	
a	Housing	1	PA UL94V-0	White	

UNLESS OTHERWISE SPECIFIED TOLERANCES

DECIMALS:	ANGLES:
X.X : ±0.5	X : ±2°
X.XX : ±0.3	X.X : ±1°
X.XXX : ±0.2	

SCALE: 1/1 UNIT: mm	DWG. NO: WI-061-781	
SIZE: A3 PAGE: 1 OF 1	REV: A01	
APPROVED BY	CHECKED BY	PREPARED BY
WYX	PJ	Luguan
CUSTOMER COPY		